

# Filter housing F10



[-> to the product](#)

The F10 housing can be used for cleaning liquids or gases.

The housing can be used with filter elements made of nylon, sintered polyethylene, stainless steel, pleated or not. Most of them are available in different grades of micron rating.

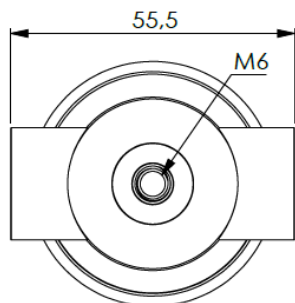
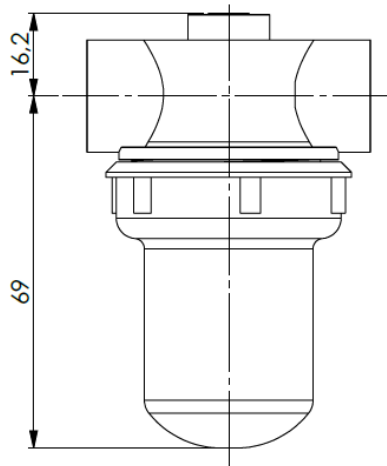
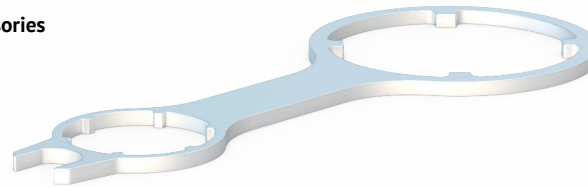
This results in a wide range of applications.

## Applications

- Filtration in laboratory and analytical conditions
- Filtration in photochemical processes
- Protection of pneumatic control systems
- Pre-filter in the medical field
- Circulation filters for cooling devices
- Pre-Filter for measuring instruments
- Particle filters for laser cooling systems

## Available accessories

- Wrench



Flow Rate		
Material	Micron rating	Liter/h
Polyethylene	5 µm	60
	10 µm	100
	25 µm	160
Nylon	50 µm	180
	100 µm	240
	150 µm	280
	350 µm	380

ΔP 0,2 bar (related to water)

## Technical data

Material	Head made of glass-fibre reinforced polypropylene, lower part made of SAN (transparent) or glass fibre reinforced polypropylene
Working pressure	0 to +10 barg
Working temperature	+5 to +30°C
In-/ Outlet	1/4" female thread DIN ISO 228 G/ BSPP
Gasket	NBR (other on demand)
Mounting	1 x M6 on top of filter head

## Order information

### 1) Filter housing

F1013B.	<input type="text"/>	-	<input type="text"/>
	Lower part		Supporting body
	350	transparent (SAN)	- Without supporting body
	330	blue (polypropylene)	-10 With supporting body (Only for filter elements made of polypropylene or stainless steel*)

\*Not needed for pleated elements

Order example: F1013B-350

## Order information

### 1) Filter elements

F10-	<input type="text"/>		
Polyethylene	Nylon	Stainless steel	Stainless steel pleated
5PE 5 µm	50N 50 µm (white)	140ES 140 µm	600-220-SS/PL 220 µm
10PE 10 µm	100N 100 µm (blue)	220ES 220 µm	PP-Stainless steel pleated*
25PE 25 µm	150N 150 µm (brown)		50ES-PL 50 µm
	350N 350 µm (grey)		140ES-PL 140 µm
			350ES-PL 350 µm

\*Endcaps PP / glasfiber reinforced  
Filtermesh:  
Stainless steel

Note: effective filtration area about 12 cm<sup>2</sup>  
effective filtration area pleated elements about 60 cm<sup>2</sup>

Order example: F10-140ES